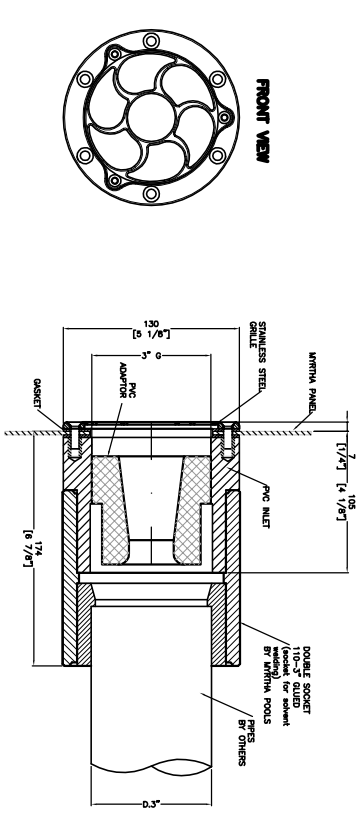
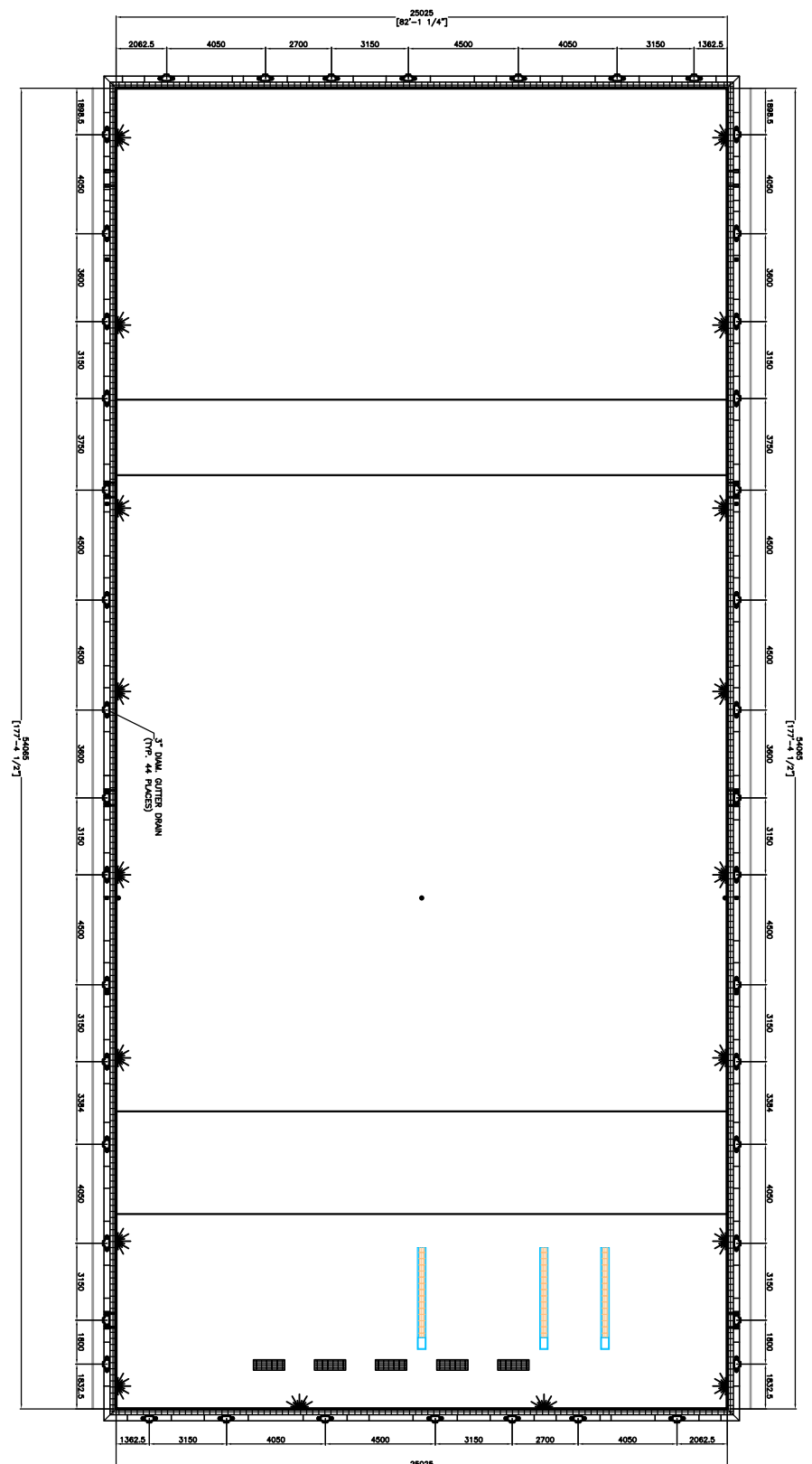


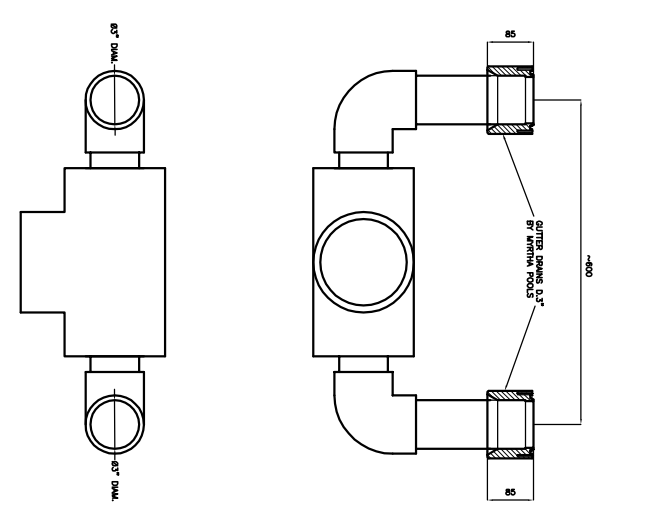
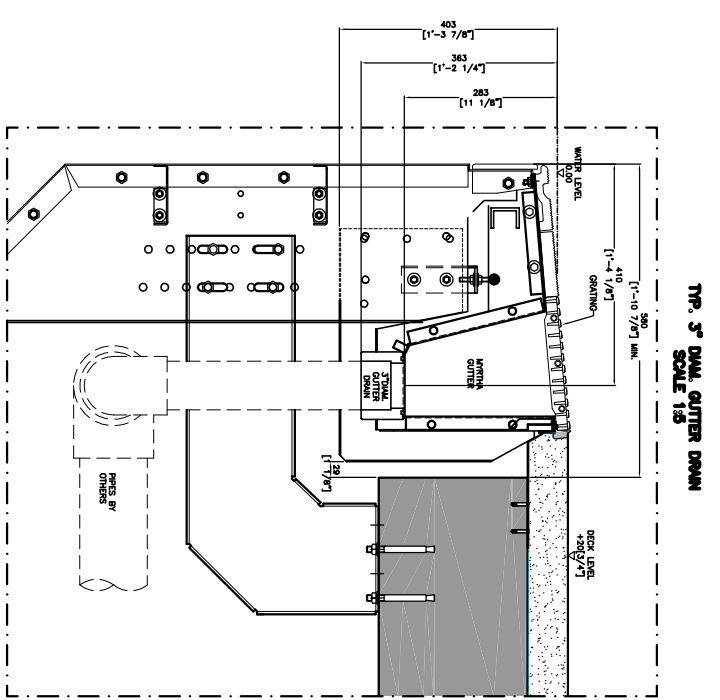
1 MAIN DOWN LOCATION
SCALE 1:10



2 THE STAINLESS STEEL WALL INFLET FOR LOCATION DETAILS SEE DRAWING PL. 1.19)
SCALE 1:2



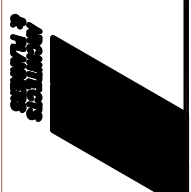
3 GUTTER DOWN LOCATION
SCALE 1:10



PERMITS NOTES
FOR ALL TYPES ARE
FOR CONSTRUCTION

MACDONALD ISLAND REDEVELOPMENT PROJECT

FT. McMURRAY AB



PROGRESS
PLOT

SEAL / PERMIT

REVISIONS

NO.	DATE	DESCRIPTION

SHEET TITLE
50 m COMPETITION POOL

Project No. 2018
Scale: CDND
Sheet No. PL1.16